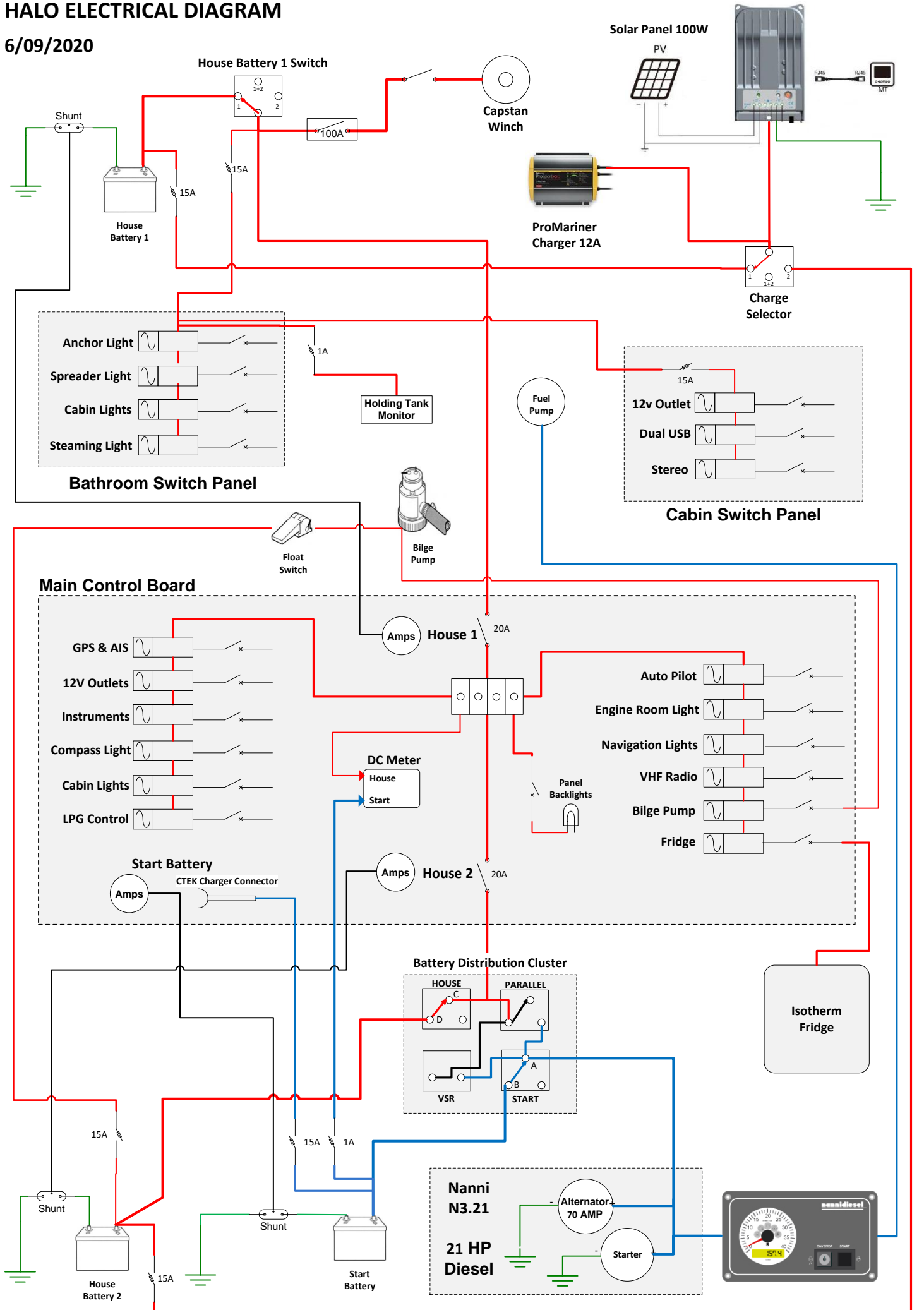


# HALO ELECTRICAL DIAGRAM

6/09/2020



-12V busses all return to common earth and engine

Halo Electrical Wiring Diagram -U.vsd